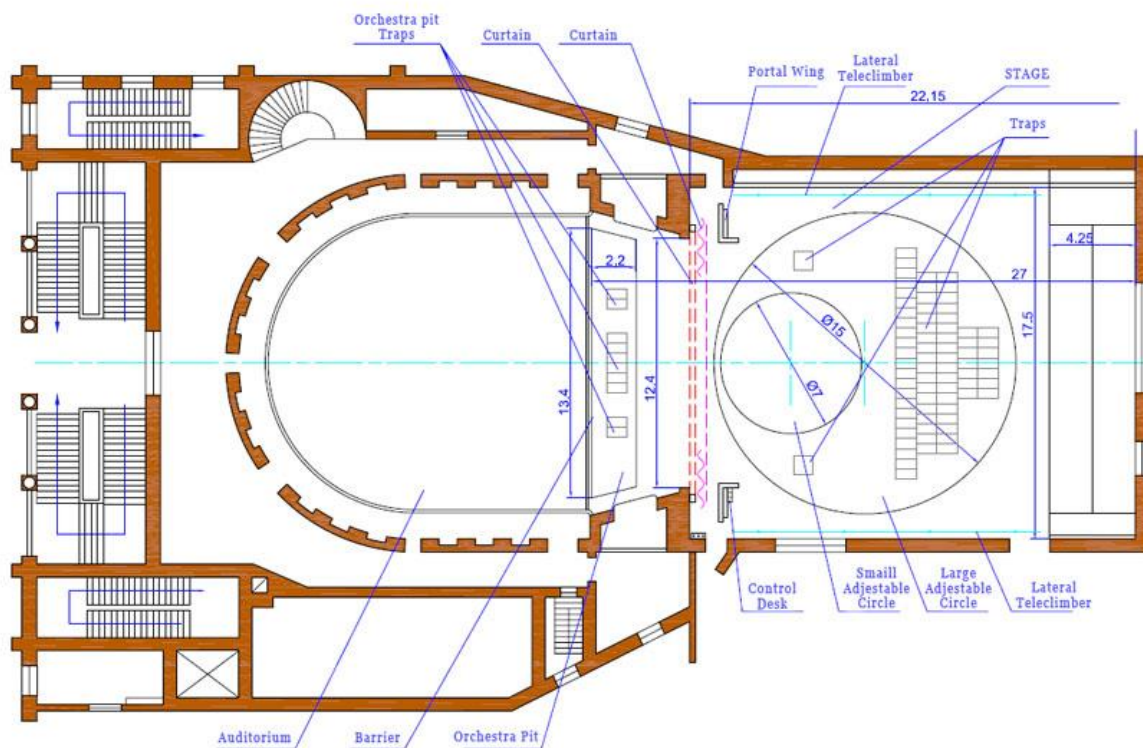


RUSTAVELI THEATRE



Main Stage TECHNICAL INFORMATION

1. Stage Dimensions	
Item	Dimension
Proscenium width	12.4
Proscenium height	11.0
Plaster line to back wall	27.0
Stage floor to fly floor	27.2
Stage floor to loading bridge	23.0
Stage floor to grid	25.0
Stage right wall to stage left wall	17.5
Orchestra pit	2.2X13.4X1.85
Soffit Bridge	6
Bars	34



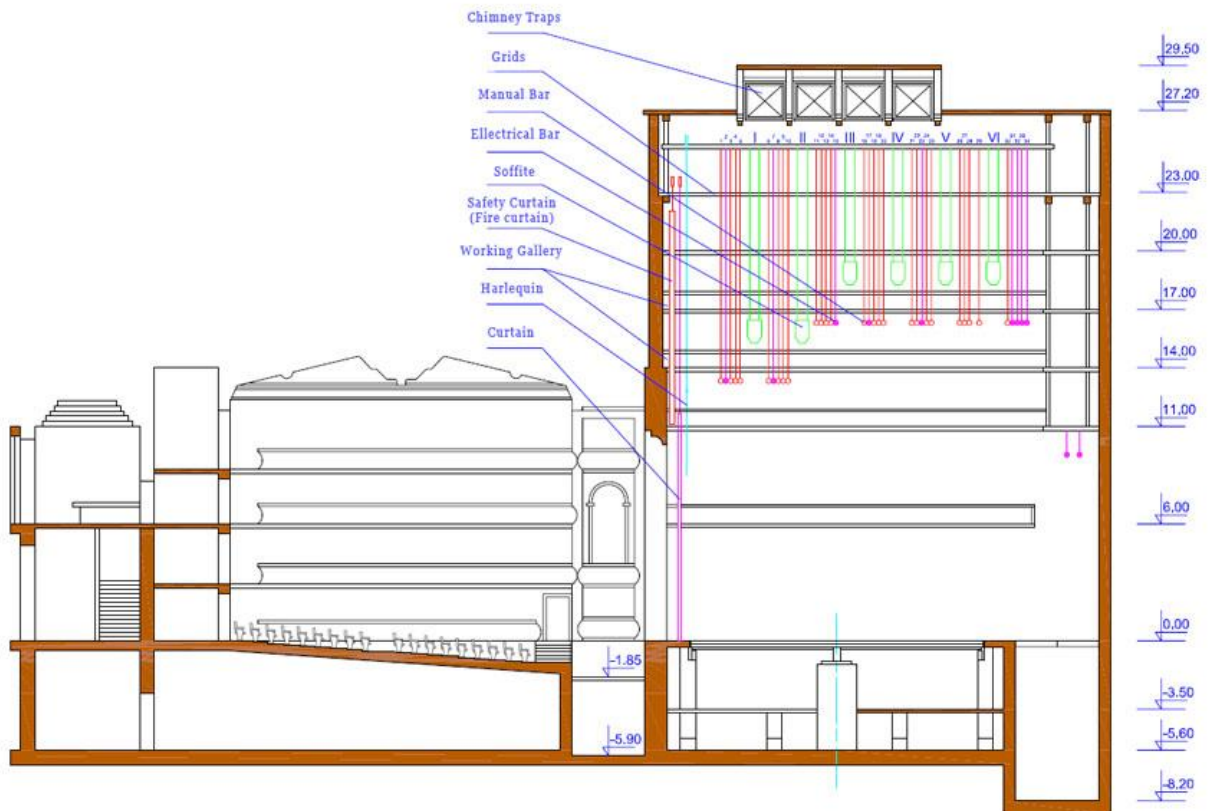
DRAPERIES/STAGE DRESSING

1 – Black velour, fully lined, bi-parting or guillotine Main Drape

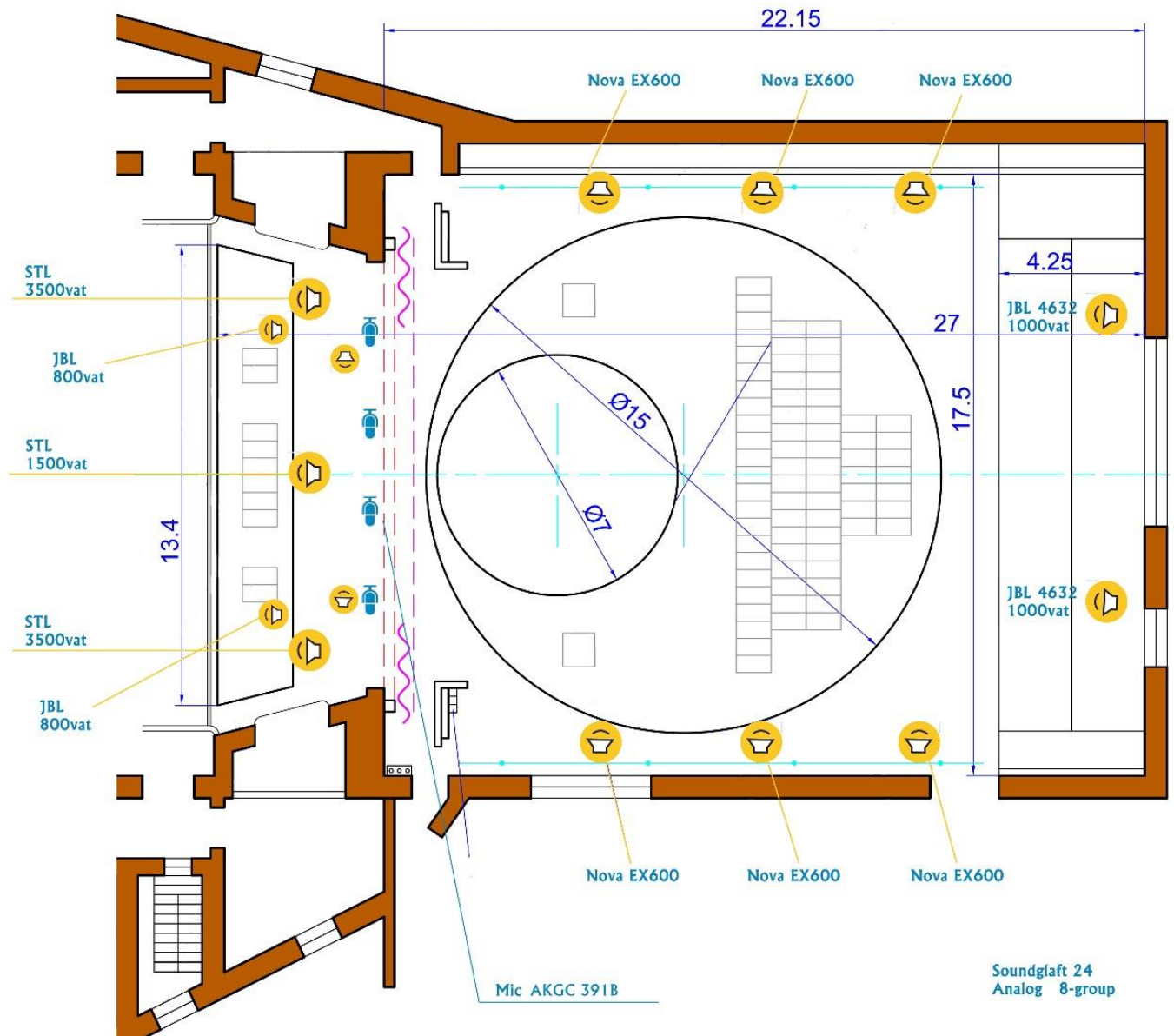
MISCELLANEOUS

Dressing Rooms w/showers: 27

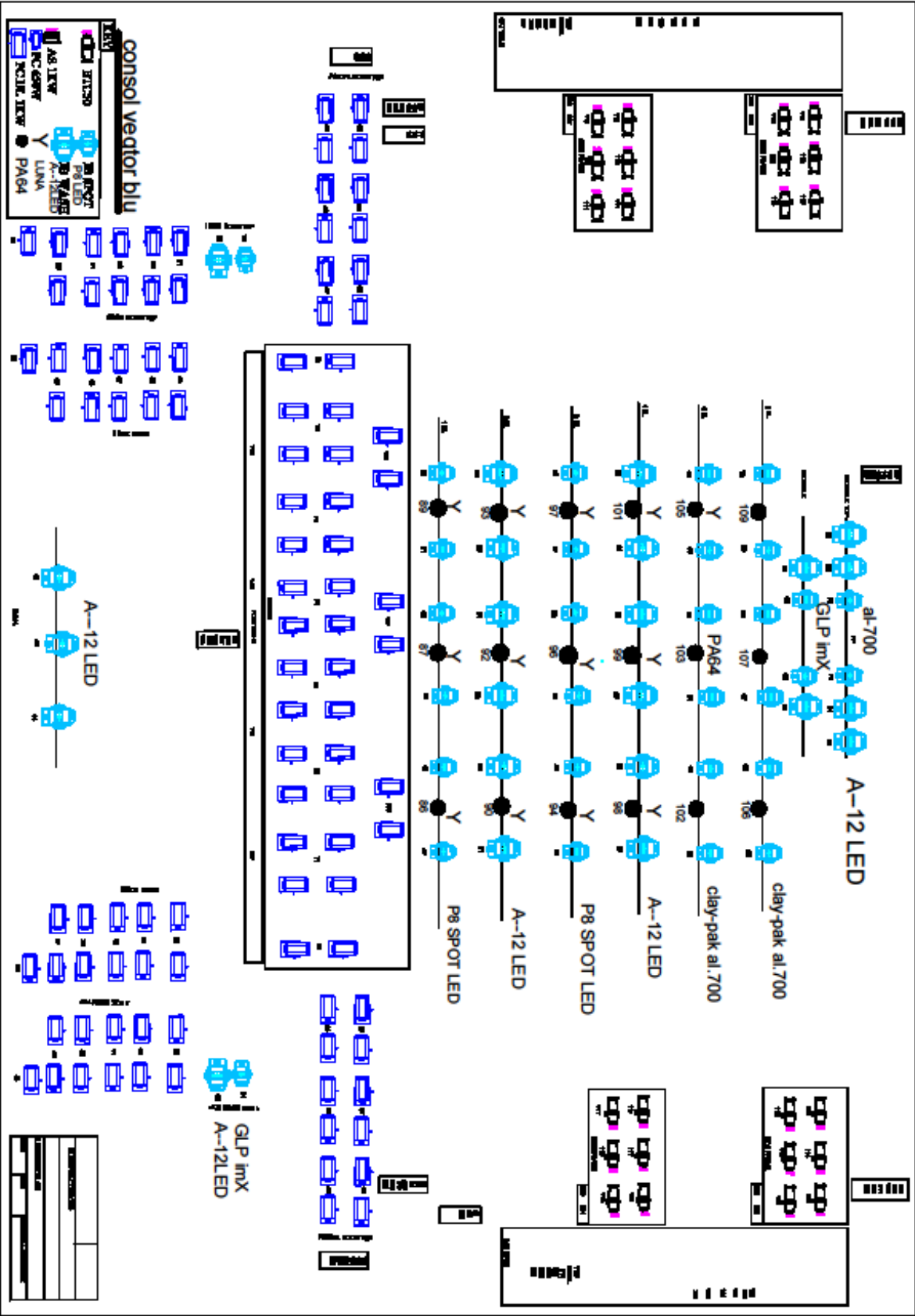
Steinway Concert Grand Piano

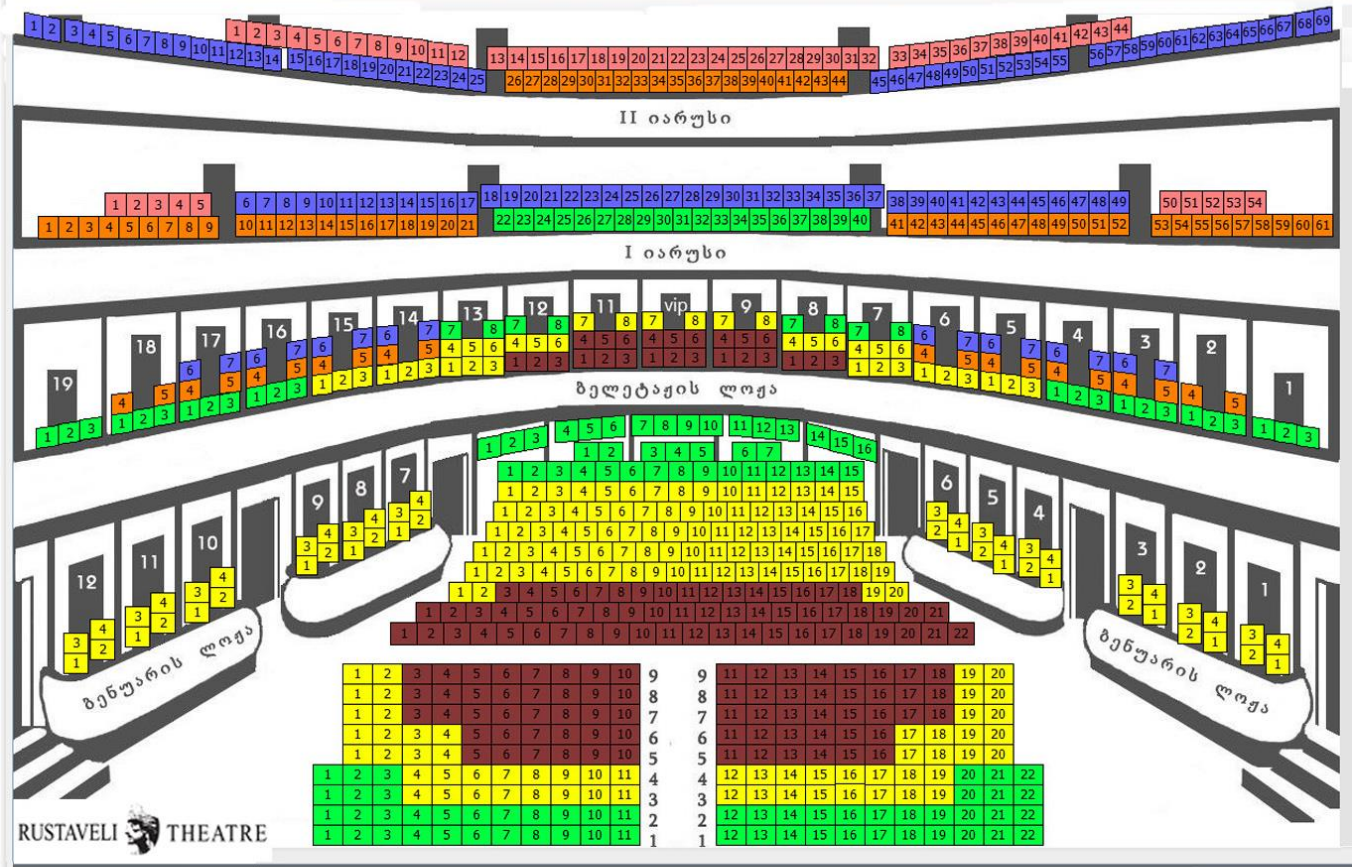


2. Sound System



3.Light System





RUSTAVELI THEATRE

MAIN STAGE 778 SEATS

■ VIP
 ■ 1
 ■ 2
 ■ 3
 ■ 4
 ■ 5

4. Main Stage

Number of seats	778
Row (20)	374
Boxes (12)	48
Balconies (19)	120
I Tier (2 Rows)	115
II Tier (2 Rows)	113

6 Category Show by Color